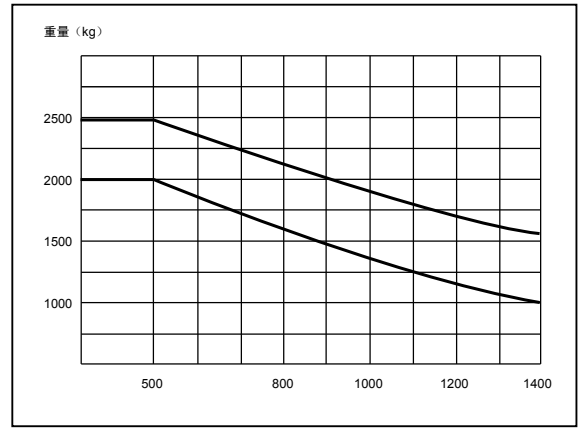
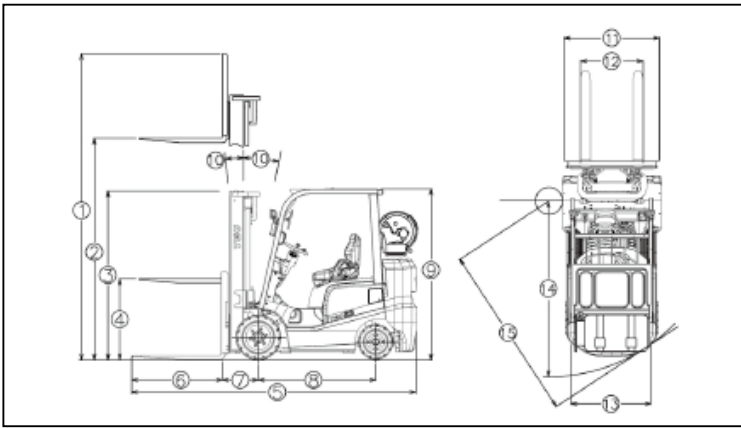


■ Standard Size Figure



■ Standard Size

Specification	1		Manufacturer		TEU				
	2		Model		FCG20T	FCG25T			
	3		Load capacity		kg	2000			
	4		Load center		mm	500			
	5		Power unit			LPG			
	6		Operator type			Seat			
	7		Tire type		front/rear	Cushion Tires			
	8		Wheels		front/rear	2/2			
Dimensions	9		Max.lifting height		mm	②	3000		
	10		Free lift		mm	④	160		
	11		Fork size L×W×T		mm	⑥	1070×122×40		
	12		Tilt angle (forward/ backward)		deg	⑩	6/6		
	13		Overall Length (without fork)		mm	⑤	2278	2328	
	14		Total Width		mm	⑪	1174		
	15		Mast height (fork lowerd)		mm	③	2006		
	16		Overall height fork raised (with backrest)		mm	①	4030		
	17		Height of head guard		mm	⑨	2035		
	18		Turning raduis(outside)		mm	⑭	2002	2500	
	19		Load distance(fork front face to front axle)		mm	⑦	442		
20		Min. right angle stacking aisle(adding no load length and clearance)			⑮	2450	2500		
Performance	21		Max. travelling		full load/no load	km/h	17.5/18		
	22		Speed		Lifting	full load/no load	mm/s	550/580	
	23		Lowering		full load/no load	mm/s	450/550		
Weights	24		Weight		kg	3445	3795		
	25		Weight distribution		No load	front axle/rear axle	kg	1380/2065	1345/2450
	26		Full load		front axle/rear axle	kg	4730/715	5532/763	
Chassis & Wheels	27		Tires		Front/rear		16.25×6×11.25 / 21×8×15		
	28		Wheelbase		mm	⑧	1400		
	29		Tread		Front/rear	mm	⑫ ⑬	970/950	
	30		Ground Clearance		At lowest point(mast)	mm		110/116	
	31		Brake					Hydraulic	
Drive Line	32		Engine		Model		NISSANK21	NISSANK25EPA	
			Rated power		KW/rpm		31.2/2250	42.2/2700	
			Rated torque		N-m/rpm		144/1600	155/1600	
			Number of cylinder				4	4	
			Displacement		L		2.065	2.488	
	33		Fuel tank capacity		L		50		
34		Transmission			Power shift T/M		Hydraulic Torque Transmission		
35		Transmission shift		Speed forward /backward			1/1-Electromagnetic Hydraulic		
36		Hydraulic sysem pressure			kg/cm ²		180		

※ Products and specifications change without prior notice

ANHUI TEU FORKLIFT TRUCK.CO.,LTD.

Tel: +86-0551-65717981 Fax: +86-0551-65711998

Add: No.656, Fangxing Road, Hefei, Anhui, China.

Web: www.teuforklift.com

E-mail: admin@teuforklift.com



TEU has passed ISO9001 quality system certification

FCG

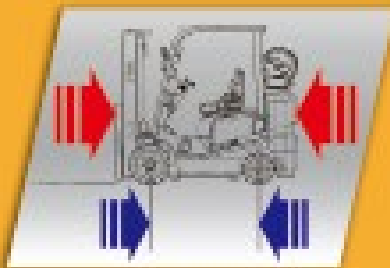
Series 20-25

TEU

**Cushion Tires
Counter Balanced Forklift**



Three Features



1 Flexible Operation

Compared with FD25T, total length of the truck is shortened 220mm, wheelbase shortened 200mm and turning radius shortened 210mm, which makes the operation more flexible and suitable for using in narrow space.

2 Lower Emission

Equipped with powerful and efficient EFI, EPA approved engine — Nissan K25(optional).



3 Novel and Fashionable Appearance

Inherited the design of the family style, fashionable and dynamic appearance, capacious driving space, and easy maintenance .